



MILD STEEL &
STAINLESS STEEL
TABLE LEG

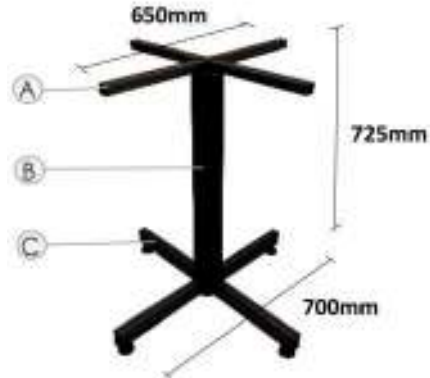


STAINLESS STEEL
**PUBLIC
BENCHES**

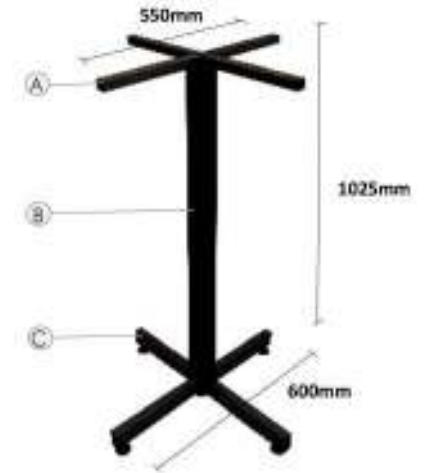
MILD STEEL TABLE BASE



B-CLCT-600-MS



B-CLCT-700-MS



B-CLCT-600B-MS



B-SQCT-400-MS



B-SQCT-550-MS



B-SQCT-400B-MS

- (A) - 1" x 1" square pipe (1.2m)
 (B) - 3" dia round pipe (1.6mm)
 (C) - 1" x 2" rectangular pipe (1.2mm)
 (D) - mild steel plate (6mm)

MILD STEEL TABLE BASE



B-RCT-440-MS



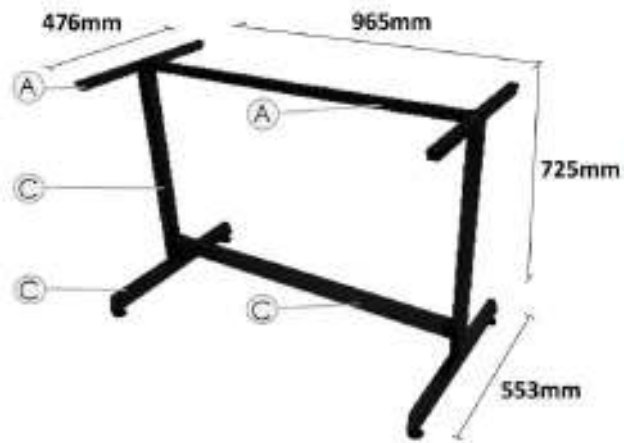
B-RCT-550-MS



B-RCT-440B-MS



B-2P-800-MS

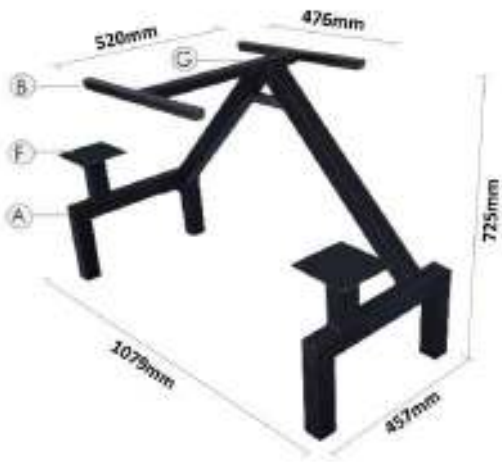


H-LEG

Note:

- Ⓐ- 1" x 1" square pipe (1.2m)
- Ⓑ- 3" dia round pipe (1.6mm)
- Ⓒ- 1" x 2" rectangular pipe (1.2mm)
- Ⓓ- mild steel plate (6mm)

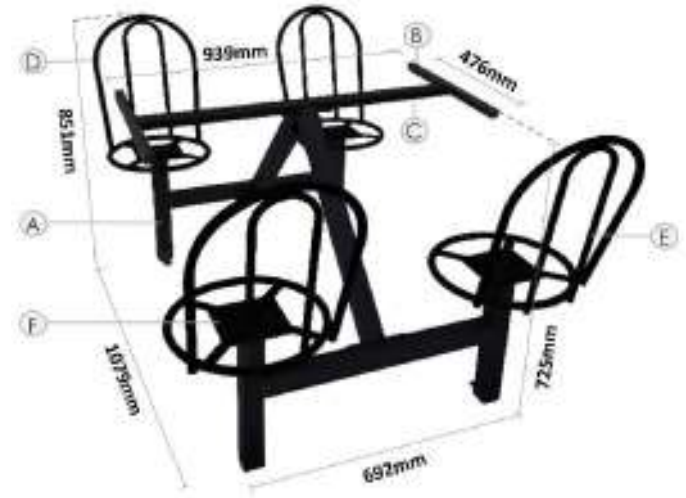
MILD STEEL TABLE BASE



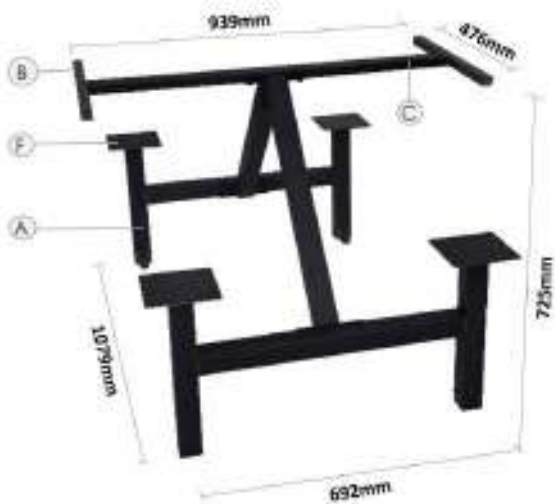
F-2STWO



F-2STW



F-4STW



F-4STWO

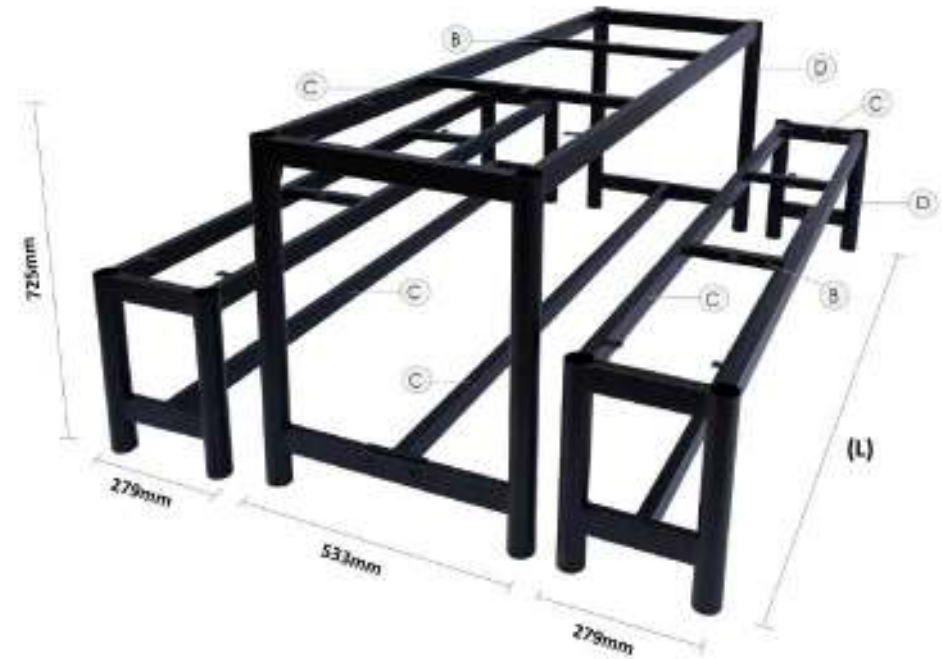
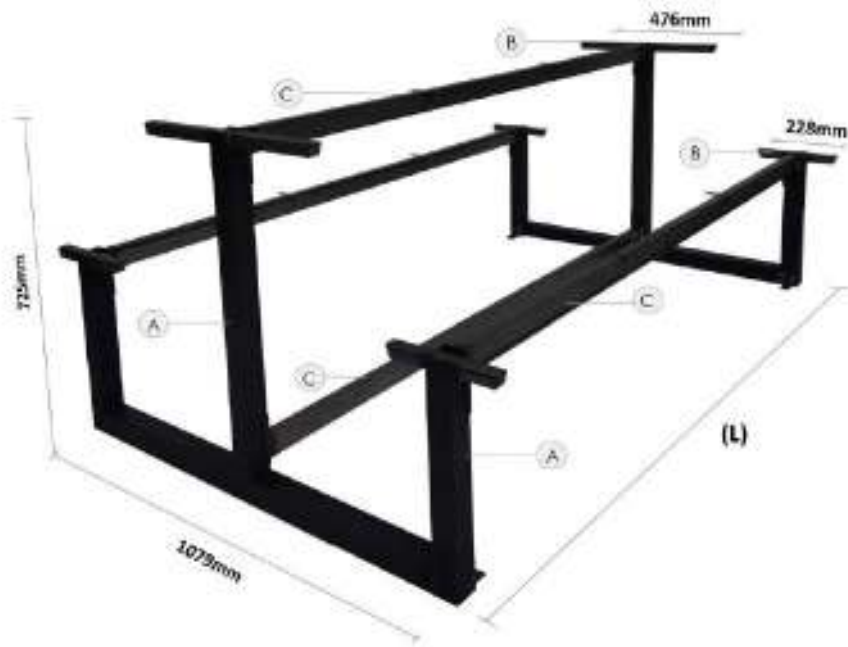


F-4STB

Note:

- Ⓐ - 2" x 2" square pipe (1.6mm)
- Ⓑ - 1" x 1" square pipe (1.2mm)
- Ⓒ - 1" x 2" rectangular pipe (2.3mm)
- Ⓓ - 6/8" dia round pipe (1.2mm)
- Ⓔ - 5/8" dia round pipe (1.2mm)
- Ⓕ - 152mm x 152mm mild steel plate (3mm)
- Ⓖ - 1" x 2" rectangular pipe (1.6mm)

MILD STEEL TABLE BASE



Bench Join Single Stand Leg

Model	Description	Dimension (L)
F-4STB (JS)	4 Seater	1117mm
F-6STB (JS)	6 Seater	1727mm
F-8STB (JS)	8 Seater	2336mm

Bench Seat Leg

Model	Description	Dimension (L)
F-4STB-H	4 Seater	1095 mm
F-5FTB-H	5 Ft Seater	1400 mm
F-6STB-H	6 Seater	1702 mm
F-8STB-H	8 Seater	2314 mm

Ⓐ - 2" x 2" square pipe (1.6mm) Ⓑ - 1" x 1" square pipe (1.2m) Ⓒ - 1" x 2" rectangular pipe (1.2mm) Ⓓ - 48mm round pipe (1.6mm)

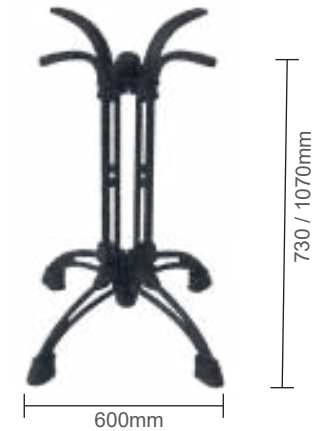
MILD STEEL TABLE BASE



Model Model	Max Table Top Size (mm)
Fold-TB-MS550	□ 800 ○ 800
Fold-TB-MS1000	□ 1200 x 800



Model Model	Max Table Top Size (mm)
4L-600-MS	□ 700 ○ 700
4L-700-MS	□ 800 ○ 800
4L-800-MS	□ 900 ○ 900
4L-1100-MS	□ 1200 x 800



Model Model	Max Table Top Size (mm)
Bunga-600-Cast	□ 900 ○ 900
Bunga-600B-Cast	□ 800 ○ 800



Model Model	Max Table Top Size (mm)
VV-RF852B-STB	□ 1200 ○ 1200



Model Model	Max Table Top Size (mm)
Norman 450	□ 800 ○ 800



Model Model	Max Table Top Size (mm)
Henry Rec	□ 1200 x 610

STAINLESS STEEL TABLE LEG



OFFICE EXECUTIVE DESK TABLE BASE

Model	Dimension (L x W x H)mm	Max Table Top Size
TBSS-U-48	1220 x 760 x 720	54"x36" (1370 x 910mm)
TBSS-U-60	1520 x 760 x 720	66"x36" (1680 x 910mm)
TBSS-U-72	1830 x 760 x 720	78"x36" (1980 x 910mm)
TBSS-U-78	1980 x 760 x 720	42"x24" (2130 x 910mm)



STAINLESS STEEL LEG V MODEL FOR GRANITE TOP

Model	Dimension (L x W x H)mm	Max Table Top Size
TBSS-V-3822	970 x 560 x 720	42"x 24" (1070 x 610mm)
TBSS-V-4222	1070 x 560 x 720	42"x 27" (1070 x 690mm)



STAINLESS STEEL LEG I MODEL FOR GRANITE TOP

Model	Dimension (L x W x H)mm	Max Table Top Size
TBSS-I-3822	970 x 560 x 720	42"x 24" (1070 x 610mm)
TBSS-I-4222	1070 x 560 x 720	42"x 27" (1070 x 690mm)

STAINLESS STEEL TABLE BASE



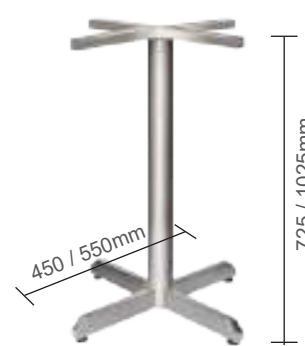
Model Model	Max Table Top Size (mm)	
SQ-CT-380-201+MS	□ 600	○ 600
SQ-CT-450-201+MS	□ 800	○ 800
SQ-CT-550-201+MS	□ 900	○ 1050
SQ-CT-450B-201+MS	□ 700	○ 700
SQ-CT-380-304+MS	□ 600	○ 600
SQ-CT-450-304+MS	□ 800	○ 800
SQ-CT-550-304+MS	□ 900	○ 1050
SQ-CT-450B-304+MS	□ 700	○ 700



Model Model	Max Table Top Size (mm)	
SQ-CT-380-304	□ 600	○ 600
SQ-CT-450-304	□ 800	○ 800
SQ-CT-550-304	□ 900	○ 1050
SQ-CT-450B-304	□ 700	○ 700

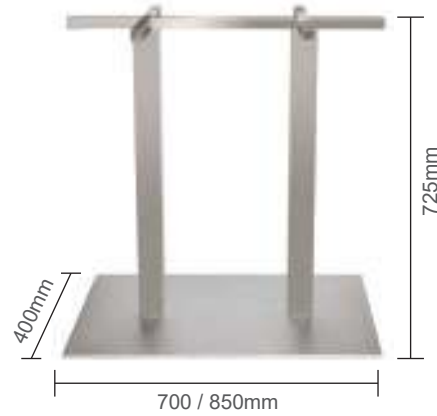


Model Model	Max Table Top Size (mm)	
CL-CT-450-201+MS	□ 600	○ 600
CL-CT-550-201+MS	□ 800	○ 800
CL-CT-550B-201+MS	□ 700	○ 700
CL-CT-450-304+MS	□ 600	○ 600
CL-CT-550B-304+MS	□ 800	○ 800
	□ 700	○ 700



Model Model	Max Table Top Size (mm)	
CL-CT-450-304	□ 600	○ 600
CL-CT-550-304	□ 800	○ 800
CL-CT-550B-304	□ 700	○ 700

STAINLESS STEEL TABLE BASE



Model Model	Max Table Top Size (mm)
2P-700-201+MS	□ 1200 x 800
2P-850-201+MS	□ 1400 x 800
2P-700-304+MS	□ 1200 x 800
2P-850-304+MS	□ 1400 x 800

Model Model	Max Table Top Size (mm)
2P-700-304	□ 1200 x 800
2P-850-304	□ 1400 x 800

STAINLESS STEEL PUBLIC BENCHES



STAINLESS STEEL SITTING LINK BENCH

Model Model	Dimension(L x W x H) Dimensi (P x L x T)	Material
SSB-5917	59" x 17" x 18" (1500 x 430 x 460mm)	1" x 1" SQUARE PIPE
SSB-7117	71" x 17" x 18" (1800 x 430 x 460mm)	

STAINLESS STEEL CURVE CORNER BENCH

Model Model	Dimension(L x W x H) Dimensi (P x L x T)	Material
SSCCB6015	60" x 15.5" x 16.5" (1520 x 390 x 420mm)	1" x 1" SQUARE PIPE
SSCCB7215	72" x 15.5" x 16.5" (1800 x 430 x 460mm)	

STAINLESS STEEL SQUARE PIPE LINK BENCH

Model Model	Seating Tempat duduk	Dimension(L x W x H) Dimensi (P x L x T)
4ST-SQ-PIPE	4	60" x 24" x 26" (1520 x 600 x 650mm)
6ST-SQ-PIPE	6	80" x 24" x 26" (2030 x 600 x 650mm)
8ST-SQ-PIPE	8	106" x 24" x 26" (2690 x 600 x 650mm)

STAINLESS STEEL PUBLIC BENCHES



STAINLESS STEEL LINK BENCH WITH TRIANGLE LEGS

Model Model	Dimension(L x W x H) Dimensi (P x L x T)
3SSB6020-TRI	60" x 20" x 18" (1520 x 500 x 460mm)
4SSB8520-TRI	85" x 20" x 18" (2160 x 500 x 460mm)

** The price are included Bracket

** Can support 300kg



4 SEATER STAINLESS STEEL LINK BENCH WITH COLUMN LEGS

Model Model	Dimension(L x W x H) Dimensi (P x L x T)
4SSB8520-CO	85" x 20" x 18" (2160 x 500 x 460mm)

** The price are included Bracket

STAINLESS STEEL PUBLIC BENCHES



2 SEATER STAINLESS STEEL WAITING LINK CHAIR WITH ARM REST

Model Model	Dimension(L x W x H) Dimensi (P x L x T)
2WC4425-W-N	44" x 25 1/2" x 30" (1120 x 650 x 760mm)



3 SEATER STAINLESS STEEL WAITING LINK CHAIR WITH ARM REST

Model Model	Dimension(L x W x H) Dimensi (P x L x T)
3WC6825-W-N	68" x 25 1/2" x 30" (1730 x 650 x 760mm)



4 SEATER STAINLESS STEEL WAITING LINK CHAIR WITH ARM REST

Model Model	Dimension(L x W x H) Dimensi (P x L x T)
4WC9225-W-N	92" x 25 1/2" x 30" (2340 x 650 x 760mm)



5 SEATER STAINLESS STEEL WAITING LINK CHAIR WITH ARM REST

Model Model	Dimension(L x W x H) Dimensi (P x L x T)
5WC11625-W-N	116" x 25 1/2" x 30" (2950 x 650 x 760mm)

CONTACT US

Address Lot 6, Jalan Perindustrian Sg.Balak 1/1, Kawasan Perindustrian Sg.Balak, 43000 Balakong, Sel.D.E.

Tel 603-8737 1886

Fax 603-8736 1886

Website www.berjayasteelrailings.com

Email berjayasteelrailings@gmail.com



Website

