

STAINLESS STEEL FABRICATION PRODUCT FOR BUILDING & COMMERCIAL KITCHEN



2023 / 2024

(B) HAND FREE KNEE OPERATED BOWL SINK

MEJA SINKI BEBAS TANGAN, DITOLAK DENGAN LUTUT



HAND FREE KNEE OPERATED STAINLESS STEEL SINGLE FAUCET BOWL SINK - WALL MOUNTED

Code Kod	Dimension(L x W x H) Dimensi (P x L x T)
KOSBS3620-WM	36" x 20" x 52" (910 x 500 x 1320mm)



HAND FREE KNEE OPERATED STAINLESS STEEL SINGLE FAUCET BOWL SINK - FREE STANDING

Code Kod	Dimension(L x W x H) Dimensi (P x L x T)
KOSBS3620-FS	36" x 20" x 68" (910 x 500 x 1730mm)

(B) HAND FREE KNEE OPERATED BOWL SINK TABLE

MEJA SINKI BEBAS TANGAN, DITOLAK DENGAN LUTUT



**HAND FREE KNEE OPERATED STAINLESS STEEL
DOUBLE FAUCET BOWL SINK - WALL MOUNTED**

Code Kod	Dimension(L x W x H) Dimensi (P x L x T)
KODBS6020-WM	60" x 20" x 52" (1520 x 500 x 1320mm)

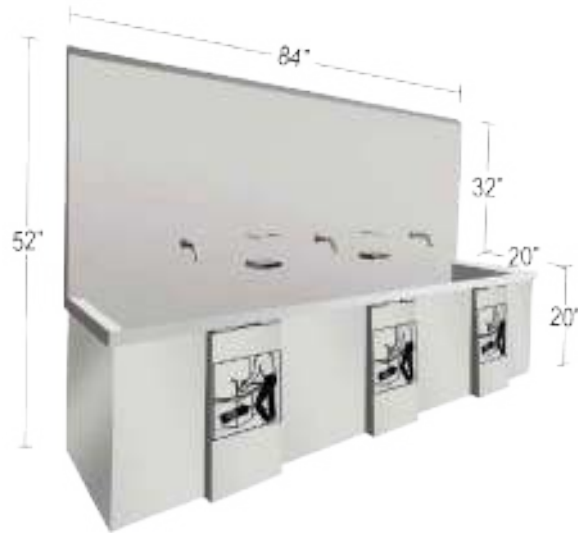


**HAND FREE KNEE OPERATED STAINLESS STEEL
DOUBLE FAUCET BOWL SINK - FREE STANDING**

Code Kod	Dimension(L x W x H) Dimensi (P x L x T)
KODBS6020-FS	60" x 20" x 68" (1520 x 500 x 1730mm)

(B) HAND FREE KNEE OPERATED BOWL SINK TABLE

MEJA SINKI BEBAS TANGAN, DITOLAK DENGAN LUTUT



HAND FREE KNEE OPERATED STAINLESS STEEL TRIPLE FAUCET BOWL SINK - WALL MOUNTED

Code Kod	Dimension(L x W x H) Dimensi (P x L x T)
KOTBS8420-WM	84" x 20" x 52" (2135 x 500 x 1320mm)

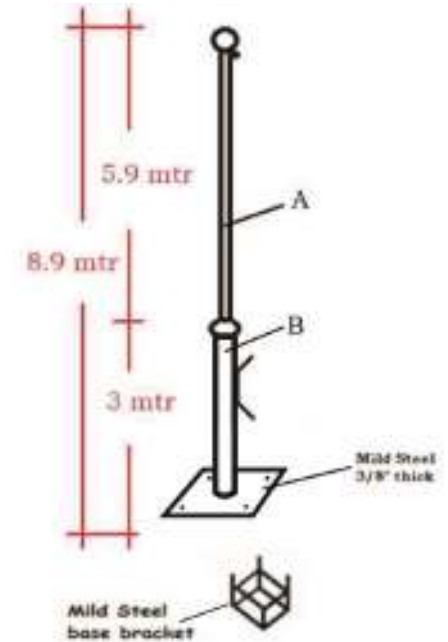
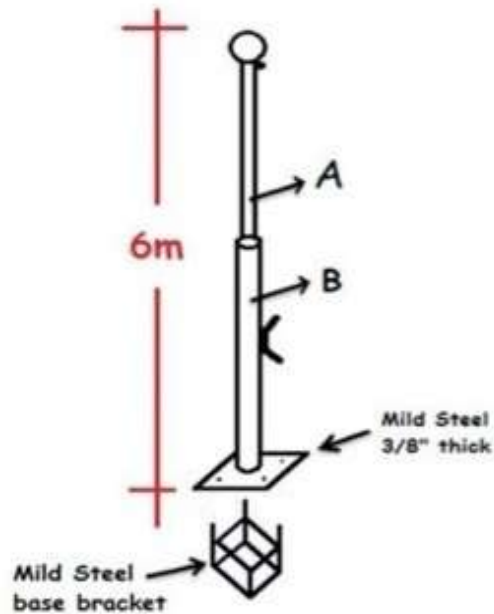
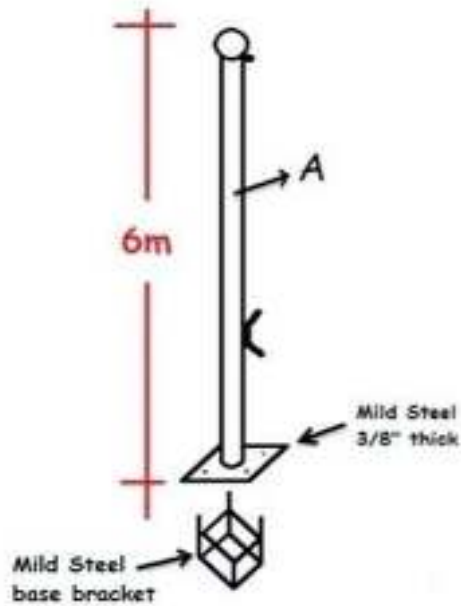


HAND FREE KNEE OPERATED STAINLESS STEEL TRIPLE FAUCET BOWL SINK - FREE STANDING

Code Kod	Dimension(L x W x H) Dimensi (P x L x T)
KOTBS8420-FS	84" x 20" x 68" (2135 x 500 x 1730mm)

STAINLESS STEEL FLAG POLE

TIANG BENDERA STAINLESS STEEL



TYPE I - POLES WITH SINGLE DIAMETER (6 METER TALL)

Model Model	Pipe Diameter & Thickness (A)
6FP212-1	2" x 1.2mm
6FP2512-1	2.5" x 1.2mm
6FP312-1	3" x 1.2mm
6FP315-1	3" x 1.5mm

TYPE II - POLES WITH COMBINATION OF TWO DIFFERENT DIAMETER (6 METER TALL)

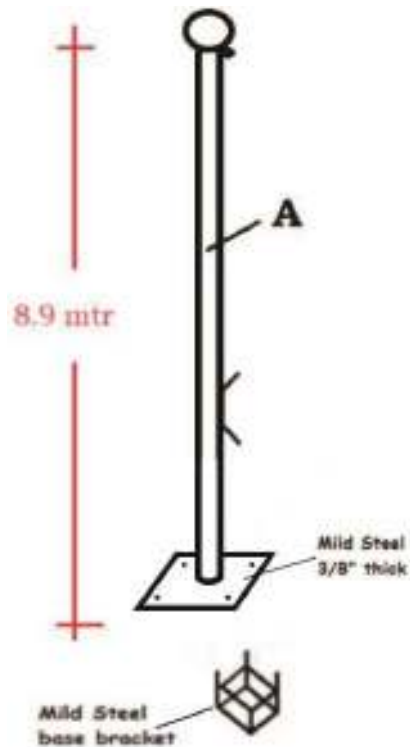
Model Model	Pipe Diameter & Thickness (A)	Pipe Diameter & Thickness (B)
6FP225-2	2" x 1.2mm	2.5" x 1.2mm
6FP23-2	2" x 1.2mm	3" x 1.2mm
6FP24-2	2" x 1.2mm	4" x 1.5mm
6FP253-2	2.5" x 1.2mm	3" x 1.2mm
6FP254-2	2.5" x 1.2mm	4" x 1.5mm
6FP34-2	3" x 1.2mm	4" x 1.5mm
6FP35-2	3" x 1.2mm	5" x 1.5mm

TYPE III - POLES WITH COMBINATION OF TWO DIFFERENT DIAMETER (8.9 METER TALL)

Model Model	Pipe Diameter & Thickness (A)	Pipe Diameter & Thickness (B)
9FP23-2	2" x 1.2mm	3" x 1.5mm
9FP254-2	2.5" x 1.2mm	4" x 1.5mm

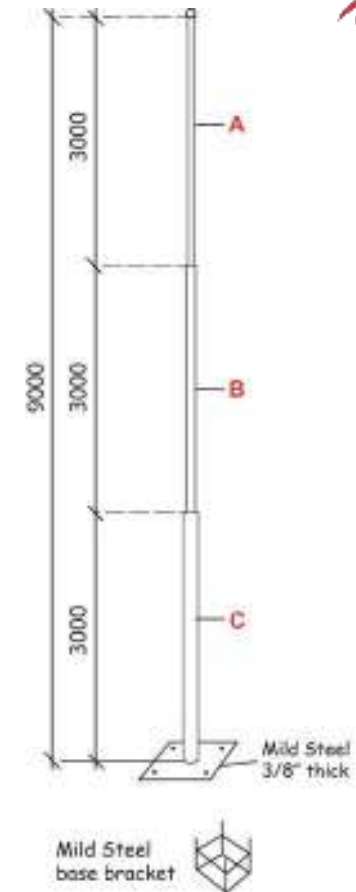
STAINLESS STEEL FLAG POLE

TIANG BENDERA STAINLESS STEEL



**TYPE IV - POLES WITH SINGLE DIAMETER
(8.9 METER TALL)**

Model Model	Pipe Diameter & Thickness (A)
9FP2515-1	2.5" x 1.5mm
9FP315-1	3" x 1.5mm
9FP415-1	4" x 1.5mm



**TYPE V - POLES WITH COMBINATION OF THREE DIFFERENT
DIAMETER (9 METER TALL)**

Model Model	Pipe Diameter & Thickness (A)	Pipe Diameter & Thickness (B)	Pipe Diameter & Thickness (C)
9FP346-3	3" x 1.5mm	4" x 1.5mm	6" x 1.5mm
9FP356-3	3" x 1.5mm	5" x 1.5mm	6" x 1.5mm

STAINLESS STEEL LOCKER

LOKER STAINLESS STEEL



STAINLESS STEEL MAIL BOX

PETI SURAT STAINLESS STEEL



STAINLESS STEEL WALL GUARD

LOKER STAINLESS STEEL



STAINLESS STEEL SKIRTING



KITCHEN HOOD EXHAUST SYSTEM



FABRICATION KITCHEN EQUIPMENT



STAINLES STEEL DRAINAGE COVER



▼ STAINLES STEEL RAIN FILTER SYSTEM



▲ STAINLES STEEL PARTITION WALL

CONTACT US



Address Lot 6, Jalan Perindustrian Sg.Balak 1/1, Kawasan Perindustrian Sg.Balak, 43000 Balakong, Sel.D.E.

Tel 603-8737 1886

Fax 603-8736 1886

Website www.berjayasteelrailings.com

Email berjayasteelrailings@gmail.com



Website